

Strech Plastics, Inc.

Assembly Instructions

For

EZ-GO TXT

4 Seat Kit

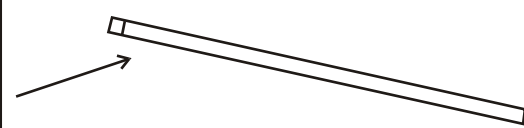
Part Number

E-6-26

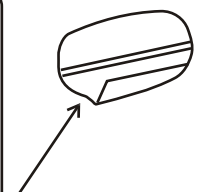
2x E-6-04TXTFB80

Or

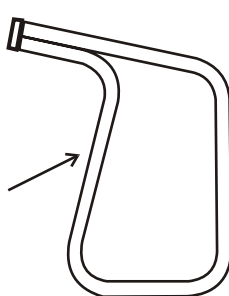
2x E-6-04TXTFB54



Original Seat Back



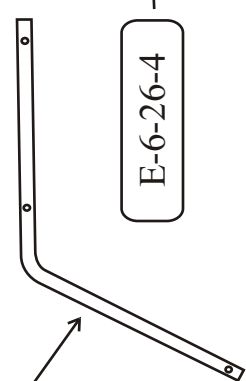
E-6-26-2R
E-6-26-2L



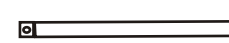
HW-42B (beige)
HW-42W (white)



E-6-26-7R
E-6-26-7L



E-6-26-4



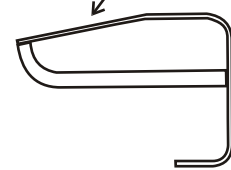
E-6-26-9



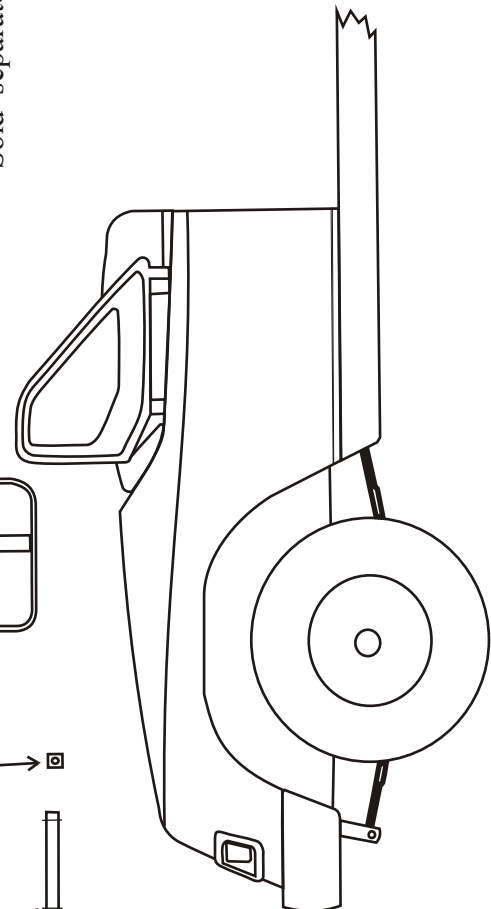
E-6-26-10



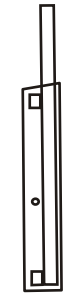
E-6-21-6



Rear Supports not included
Sold separately



MS-6-09



E-6-21-8



EZ-GO TXT 4 Seat Kit
E-6-26
Strech Plastics, Inc.

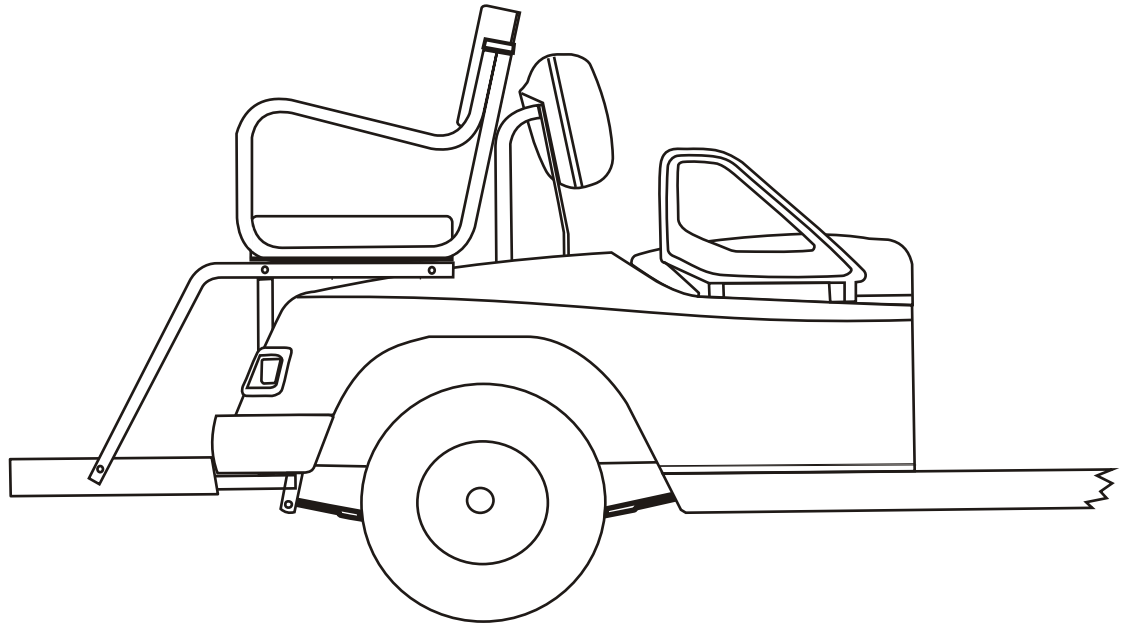
Parts List For E-6-26

QUANTITY	DESCRIPTION
1	E-6-26-2R
1	E-6-26-2L
1	E-6-26-4
2	E-6-26-6
1	E-6-26-7R
1	E-6-26-7L
1	E-6-26-8
1	E-6-26-9
1	E-6-26-10
1	MS-6-09
1	HW-42B(Beige) T(Tan) 1-back, 1 bottom
2	E-6-04TXTFB54(If purchased separately for 54" top)
2	E-6-04TXTFB80(If purchased separately for 54" top)
2	1"x 2" End Cap
4	1" End Cap
8	1/4"-20 x 1 1/4" Long Hex Head Bolts
10	1/4"-20 x 1 3/4" Long Hex Head Bolts
4	1/4"-20 x 1" Long Hex Head Bolts
4	1/4"-20 x 1 1/4" Long Flat Head Screws
22	1/4" Lock Washers
22	1/4" Flat Washers
2	5/16" x 1 3/4" Long Hex Head Bolts
2	5/16" x 2" Long Hex Head Bolts
4	5/16" x 2 1/2" Long Hex Head Bolts
2	5/16" x 3 1/4" Long Hex Head Bolt
2	5/16" Nylon Spacers
24	5/16" Flat Washers
14	5/16" Lock Nuts
4	3/8" x 1 1/4" Long Hex Head Bolts
4	3/8" Flat Washers
4	3/8" Lock Washers

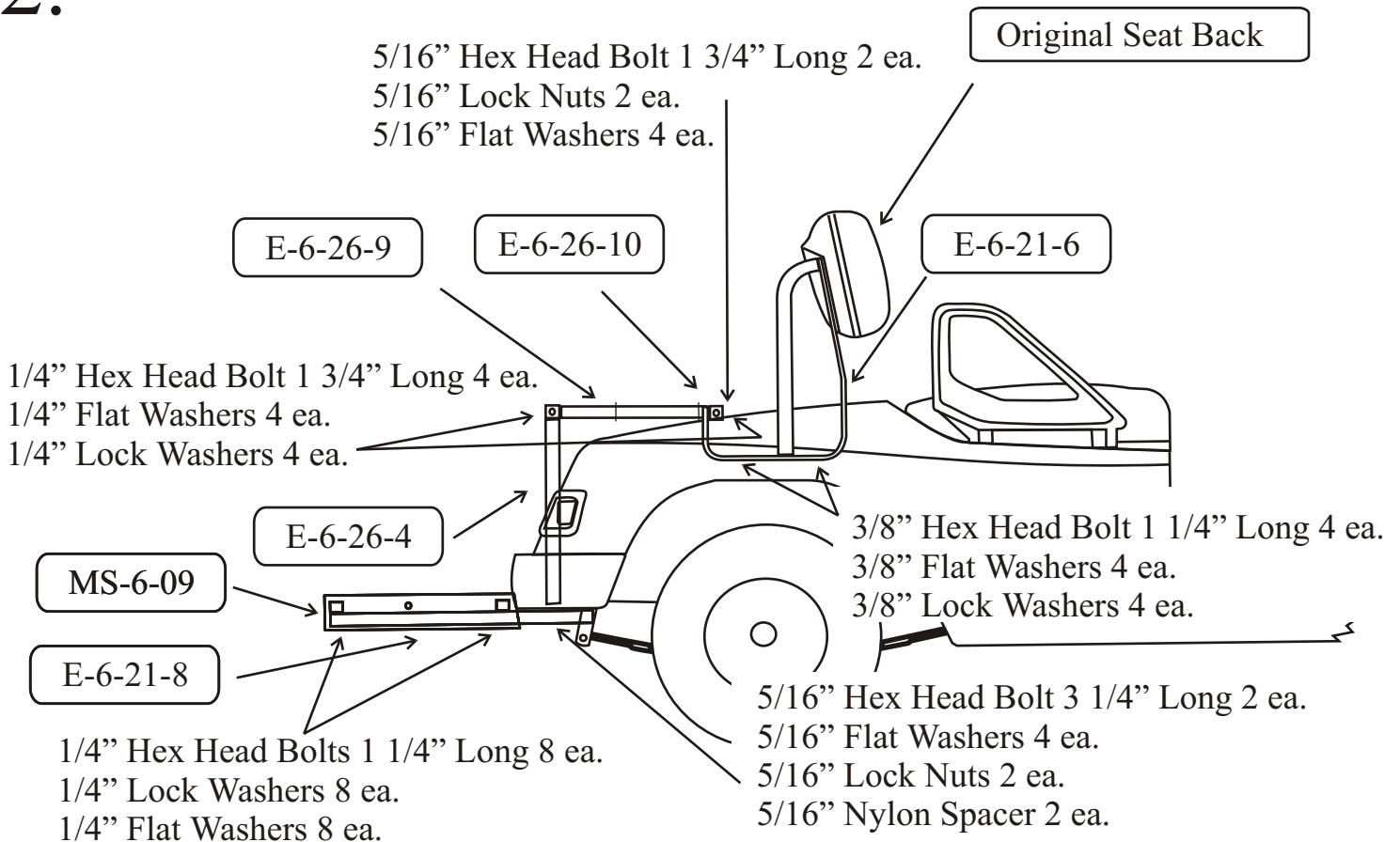
1.

EZ-GO TXT 4 Seat Kit
E-6-26
Strech Plastics, Inc.

NOTE: When putting the kit together leave all bolts and screws loose fitting until all parts are assembled. (This will make it easy to line up all parts together). Then tighten bolts and screws until all are tight.



2.

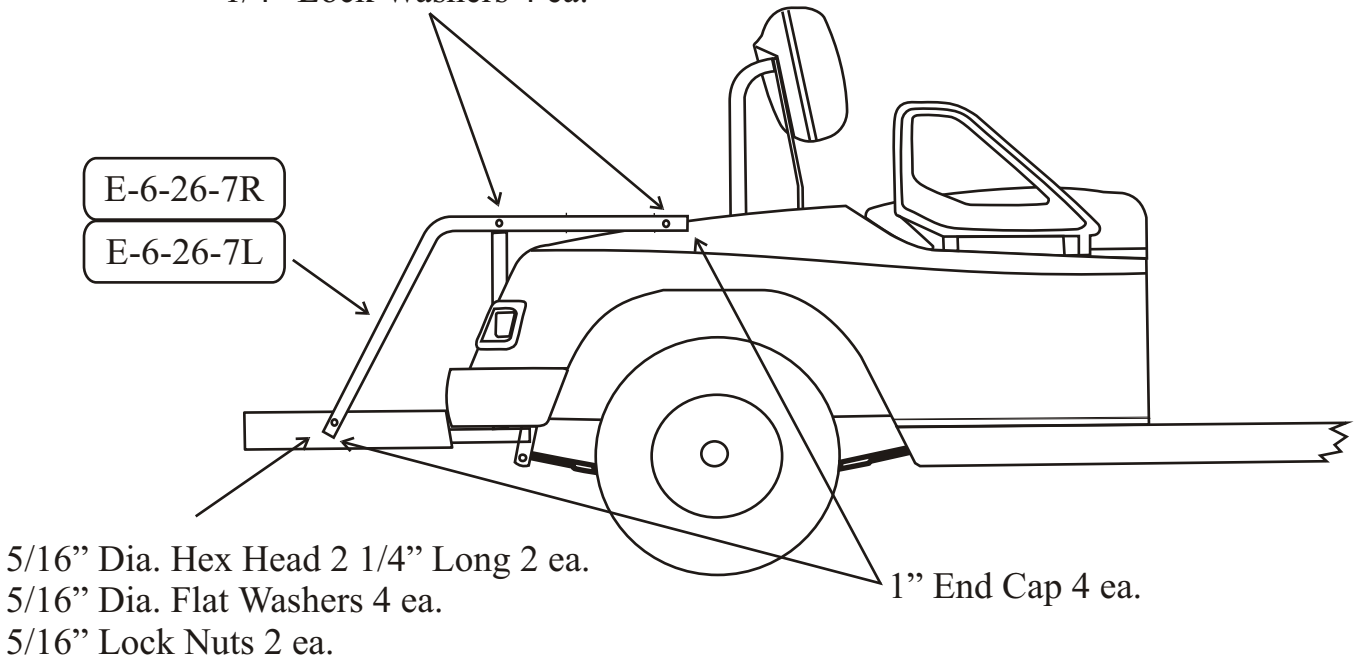


3.

EZ-GO TXT 4 Seat Kit
E-6-26
Strech Plastics, Inc.

1/4" Dia. Hex Head 1 3/4" Long 4 ea.
1/4" Dia. Lock Washers 4 ea.
1/4" Lock Washers 4 ea.

E-6-26-7R
E-6-26-7L



4.

HW-42B(beige)
HW-42W(white)

5/16" Hex Head 2 1/2" Long 4 ea.
5/16" Flat Washers 8 ea.
5/16" Lock Nuts 4 ea.

1"x 2" End Cap 2 ea.

1/4" Flat Head 1 1/4" Long 4 ea.

E-6-26-2R
E-6-26-2L

