

# 7" Yamaha Lift Kit

Fits Models: G-14, G-16, G-19

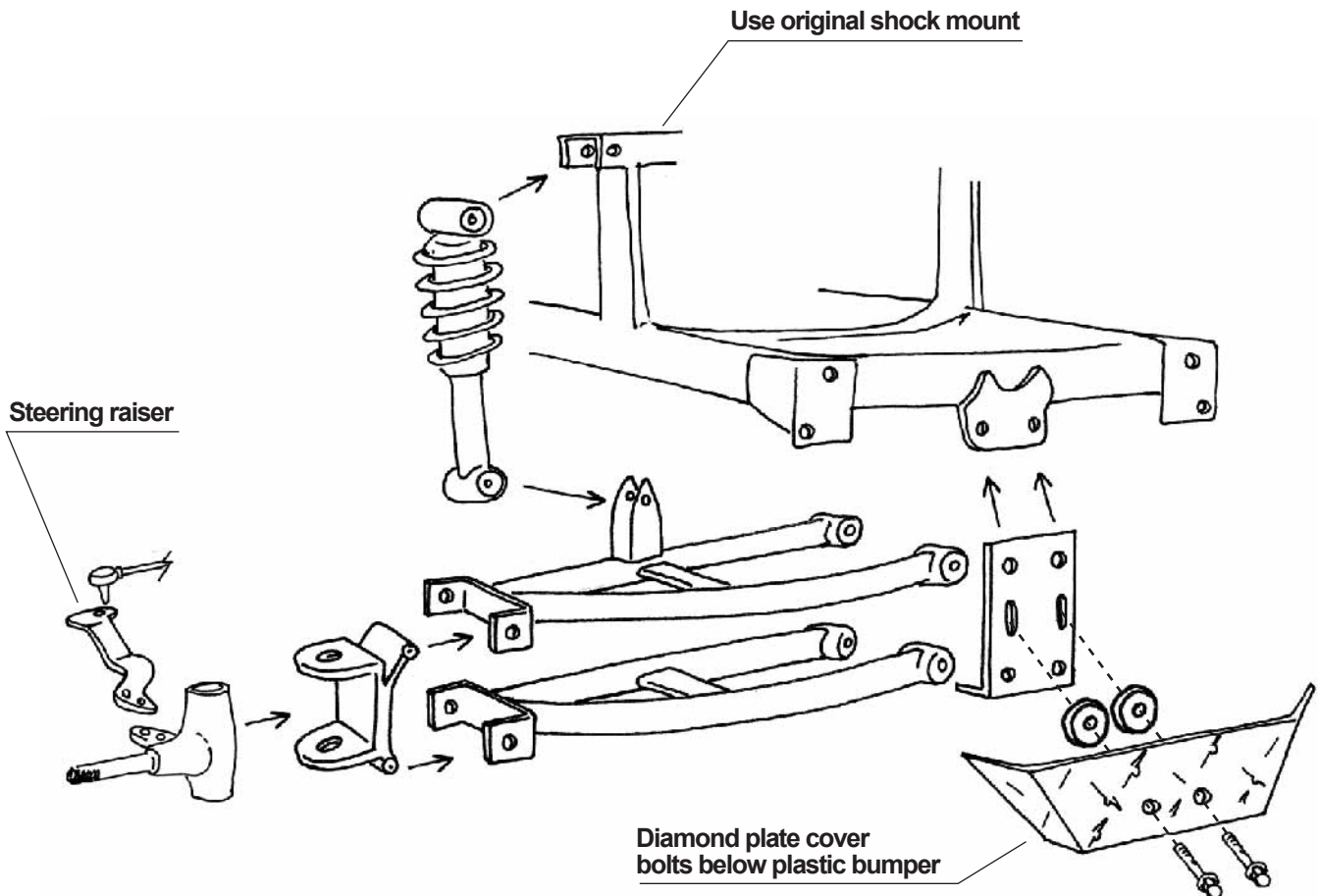
Note: This is a bolt-on lift kit. Offset wheels are recommended.

## -FRONT LIFT Instructions-

Raise cart & support frame w/ jack stands. Remove front bumper. Remove tie-rods from steering arms. Remove spindles from factory A-Arm. Remove factory A-Arms. Install new A-Arms with center A-Arm bracket that bolts to the original A-Arm mounts. Install factory spindles on new front end. Install new steering risers on top of factory spindle arms. (D=driver side P=passenger side) Install tie-rods to new risers. Install shock.

Now you are ready for adjustments:

Mount tires. Lower cart to the ground. Push cart back & forth to get suspension to seat. Adjust toe in 1/8" (Use straight edge on side of tires, measure behind tire & then adjust 1/8" in on front of tire.



**DISCLAIMER:** All lift kit or accessory installations should only be performed by professional mechanics. The lift kit buyer assumes sole responsibility for, and shall indemnify the dealer/retailer, from any and all liability, claim, responsibility, and damage, or any costs or expenses resulting from any loss of life or injuries or claimed injuries to persons or property that may be sustained in connection with the use of any product before or after purchase, including but not limited to lift kits. Dealer/retailer reserves the right, at any time, to discontinue or change prices, specifications, features, designs, models or equipment without further notice and without incurring any further obligations.